

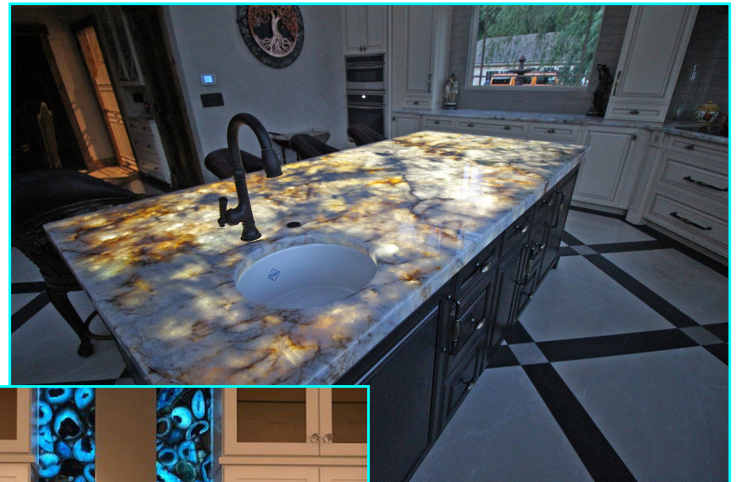
# LightTape®

bring your *imagination*  
to light



## Even Illumination:

No hot or cold spots of any size. Single panels nearly a meter wide with the ability to overlap and cover any surface. No diffusion necessary, unlike LEDs.



## Thin and Wide:

Thinner than a credit card, fits into any space. Easily transform an existing kitchen or bathroom into a backlit surface.



## Custom-cut Shapes

Illuminate any custom shape, even holes are not a problem. Send us a file and we can laser cut Light Tape® to any dimension.



## Surfaces Can Go Directly On Top

Heavy load capable, vibration and impact resistant. Place your solid surface directly over the Light Tape® without any buffer materials.



## No Heat Problems

Light Tape® produces zero heat and is cool to touch. Light Tape® can also operate in extreme temperature conditions.



## Easy Installation

Comes rolled up in a box, extremely light weight, just unroll it and place your solid surface on top. Illuminate a 20 foot bar with one Light Tape® panel and a connection.

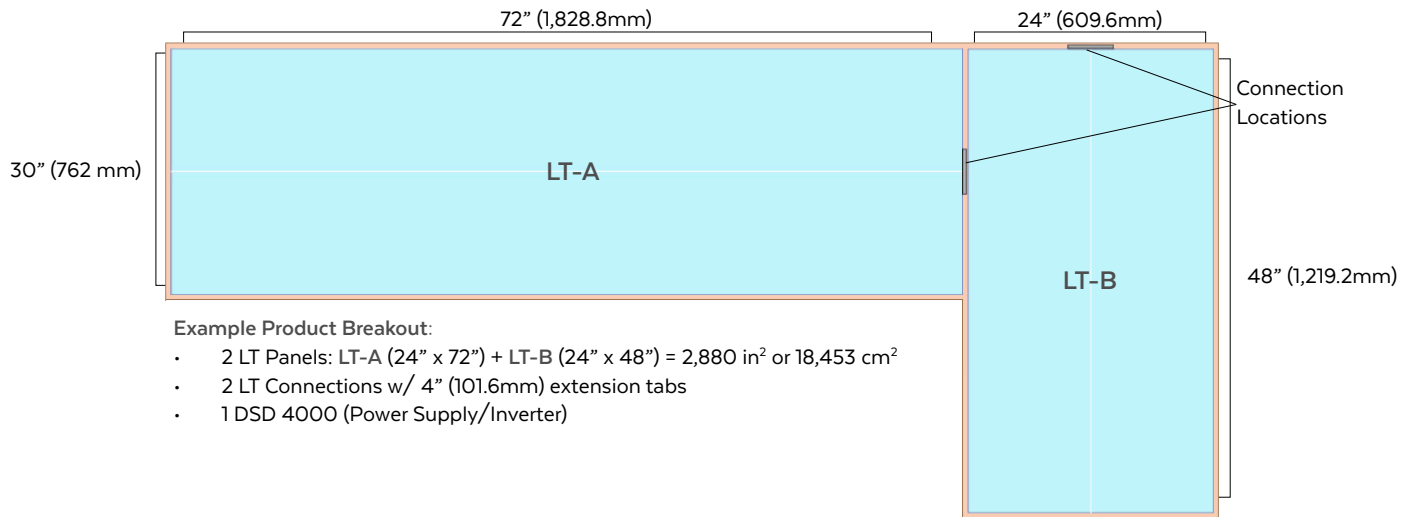


# Backlighting Materials: Top View

## BASIC BARS, COUNTER TOP, OR WALL

Any surface area can be evenly illuminated with a minimal number of panels and connections. A bar design resembling the one below would require only two Light Tape® panels and one power supply. The Light Tape® panel is placed directly on surface with double sided adhesive.

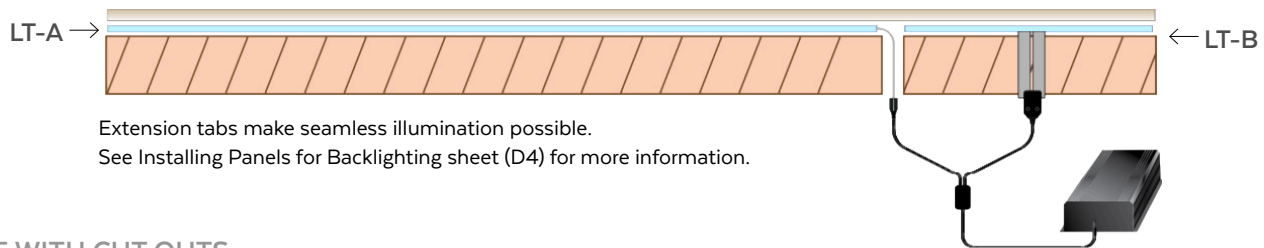
### TOP VIEW



#### Example Product Breakout:

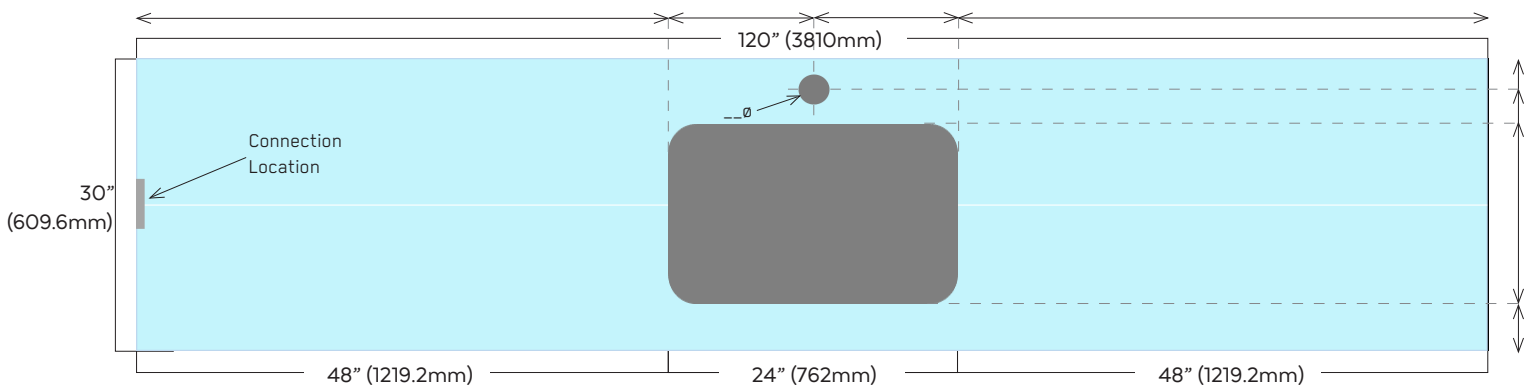
- 2 LT Panels: LT-A (24" x 72") + LT-B (24" x 48") = 2,880 in<sup>2</sup> or 18,453 cm<sup>2</sup>
- 2 LT Connections w/ 4" (101.6mm) extension tabs
- 1 DSD 4000 (Power Supply/Inverter)

### CROSS SECTION



## SURFACE WITH CUT OUTS

Light Tape® panels can be custom cut to any shape and placed side-by-side or overlapped to seamlessly illuminate any surface. For custom shapes, an AI file or template will need to be provided.



#### What do you need to light your counter?

- One Light Tape® panel to cover entire area.
- Holes for sink and faucet precut for easy installation.
- Only one connection at the end.
- One dimmable power supply

Note: Please send us a pdf, AI, or PSD file or we create a template that we can digitize for our laser cutter if you send us a .plt, .dwg, or .ai file.

## CUSTOM SHAPES AND HOLES

Light Tape® can be cut into any shape to any specification while maintaining even illumination. Don't worry about cold spots or uneven light common with LEDs when making non-symmetrical shapes. Send us a scalable file and we will take care of the rest.