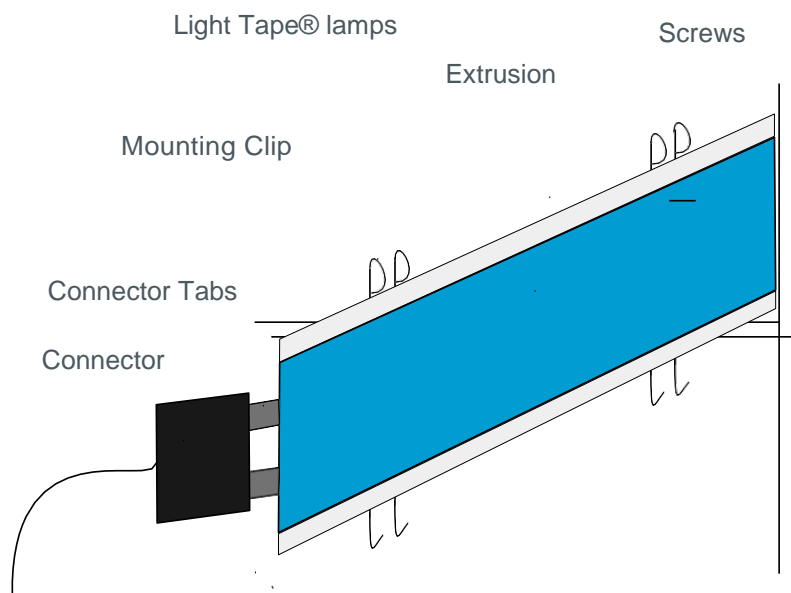


Light Tape® Snap-N-Light™ Specifications

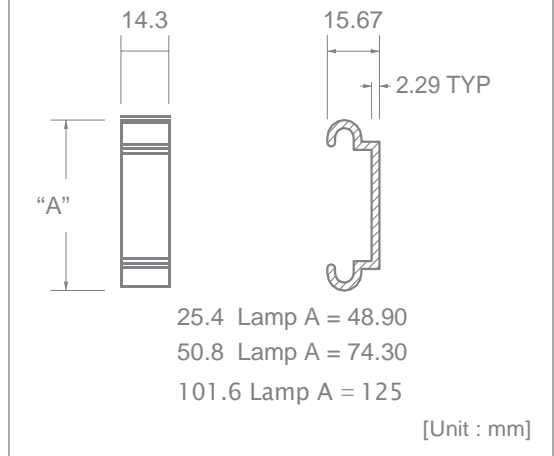
ITEM NUMBER	ILLUMINATED WIDTH	CHANNEL WIDTH	CLIP WIDTH
p-lt-100	1"	25.4mm	1.67"
p-lt-200	2"	50.8mm	2.67"
p-lt-400	4"	101.6 mm	4.67"

All Snap-n-Light runs are made to order.

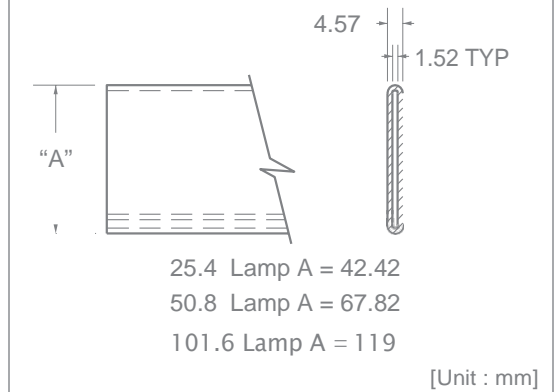


*Mount Clip is attached to mounting surface
Mounting Channel holds the Light Tape® and snaps into the pre-attached mounting clips

MOUNTING CLIP



MOUNTING CHANNEL



Material	Clear UV Stable Polycarbonate Mounting Channel
Mounting Screw	NO. 10
Clip Placement	One clip per 1 to 3 feet (30-90cm), depending on surface
UV Protection	Yes, and non-yellowing
Roll Format	Standard sizes: 25ft, 50ft, 75ft, 100ft rolls