

Snap-N-Light™

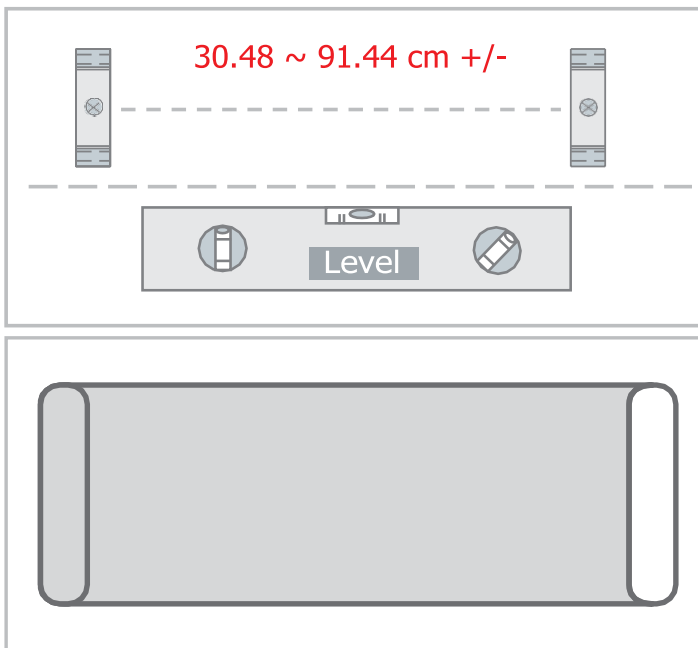
Mounting Channel Installation

Our engineered mounting channels are designed to protect Light Tape® from tampering and the outdoor environment. Constructed from high grade polycarbonate, they have tremendous impact resistance and weatherability. The system is either installed using clips or adhesive depending on building surface. In order for our system to work for years, it is important that Light Tape® is mounted properly. All outdoor installations **MUST** be mounted using our mounting channels to allow the Light Tape® to expand and contract due to changes in the weather. Any Light Tape® used in outdoor installations without mounting channels will void warranty.

A few simple rules and suggestions for the proper installation:

- **DO NOT** bend mounting channel around corners when mounted outdoors. A sharp bend of the mounting channel will pinch the Light Tape® inside causing delamination and lamp failure.
- All segments should be sealed per Electro-LuminX's procedure. We recommend factory seals for all outdoor installations.
- Be sure to specify connection end - left or right side - so the channel is pointing in the correct direction. This will ensure the drainage slot is on the bottom.
- The connector will extend about 4.5" (11.4 cm) beyond the lit portion of the lamp on the end.
- Please follow local electrical codes, all connections should be in a junction box.
- For outdoor applications, Light Tape® should be controlled using a timer to prevent daytime operation. Operation in direct sunlight leads to over excitation of the phosphors.

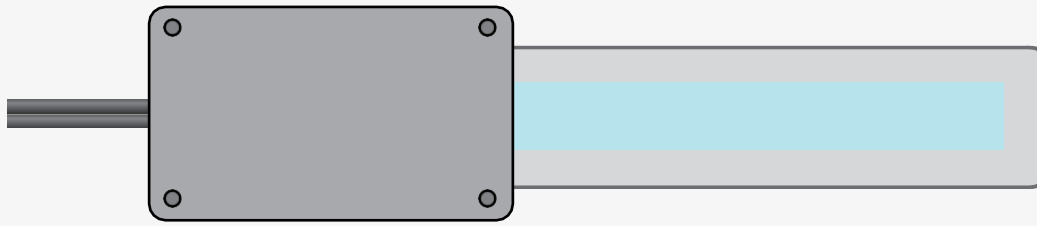
Follow the below step-by-step outdoor mounting instructions to ensure that Light Tape® is installed properly.



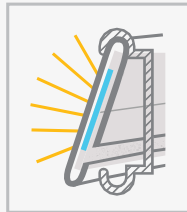
We recommend using a flat seat screw such as the pan head below. Angle seated screws such as the flat head can cause damage (cracking) to the mounting clips.



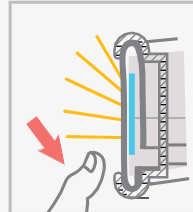
1. Clean the surface and mark a chalk line using a level. Mount clips on 12" (30.5 cm) centers, depending on surface, with #10 screws. Mount with the first clip 1" (2.54 cm) from the connector end of the extrusion. If mounting indoors on smooth surfaces, mount UltraBond adhesive foam tape along the level line instead of clips.
2. If your extrusion has a drain slot make sure it is located at the bottom to allow for drainage. **DO NOT** fill open ends of the extrusion with silicone. If mounting with an adhesive do not block bottom gap.



3. Place connection in junction box and always follow local electrical codes.



Slide into the top end of the clip first.



Press firmly downward to snap in place, making sure that slit in back is not covered to allow for drainage.

4. Starting with the connected end, snap the Mounting Channel into the clips (for open channel extrusion: slot on bottom rear). Be careful not to bend or kink the Light Tape® when snapping into place. Be sure that the end of extrusion or bottom rear slit (if using open channel extrusion) are not covered or sealed, especially when using UltraBond™ to mount. This allows for proper air flow and drainage.

*See demonstration video online for help if necessary. Please follow local electrical codes making electrical connections and always use the Light Tape® Outdoor Connection Kit.